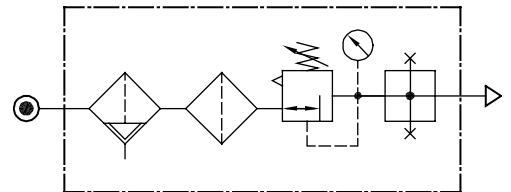
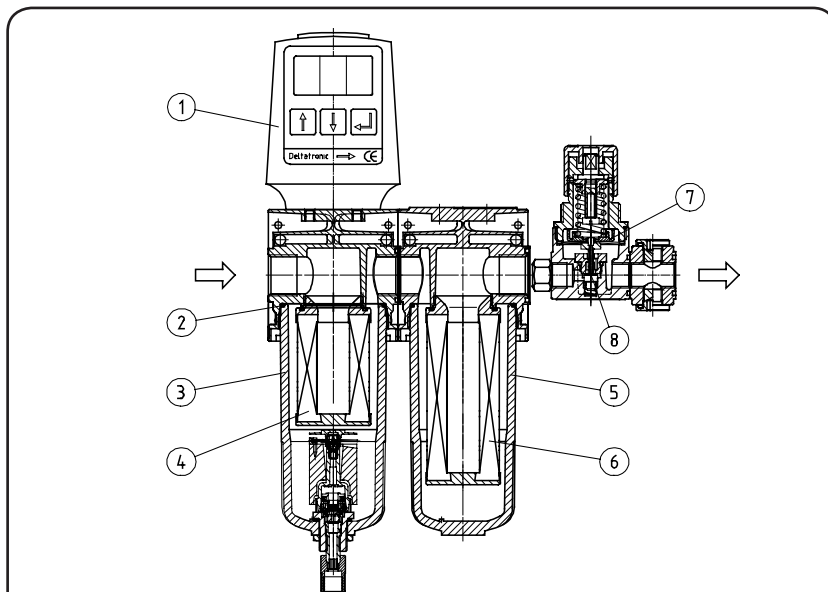


# service unit G 1/4 (specially designed for machine tools)

Innovation  
2005!

item	type	FXFARZ.31 G AM
port size		G 1/4
medium		compressed air, neutral gases
description		fine-filter 0,01 µm, activated-carbon filter,
		air line regulator with diaphragm and relieving feature, distributor block 2-way
mounting		vertically, drain valve on the bottom
supply pressure		Pe max. 16 bar, Pe min. 1,5 bar
reduced pressure		0,1 - 3 bar
particle description		> 0,01 µm 99,999 %
residual oil content		0,005 mg/m <sup>3</sup>
media- and ambient temperature		max. 60 °C
bowl volume		max. 50 cm <sup>3</sup>
drain model		fully automatic
fixing		2 holes in a body or bracket
weight		2,2 kg



## series 3

## ordering information

**FXFARZ. 31 G AM**

type

1 port size  2 option

ordering example: FXFARZ.31 G AM

## replacement parts

( repair kit: ESA-RE.00 )

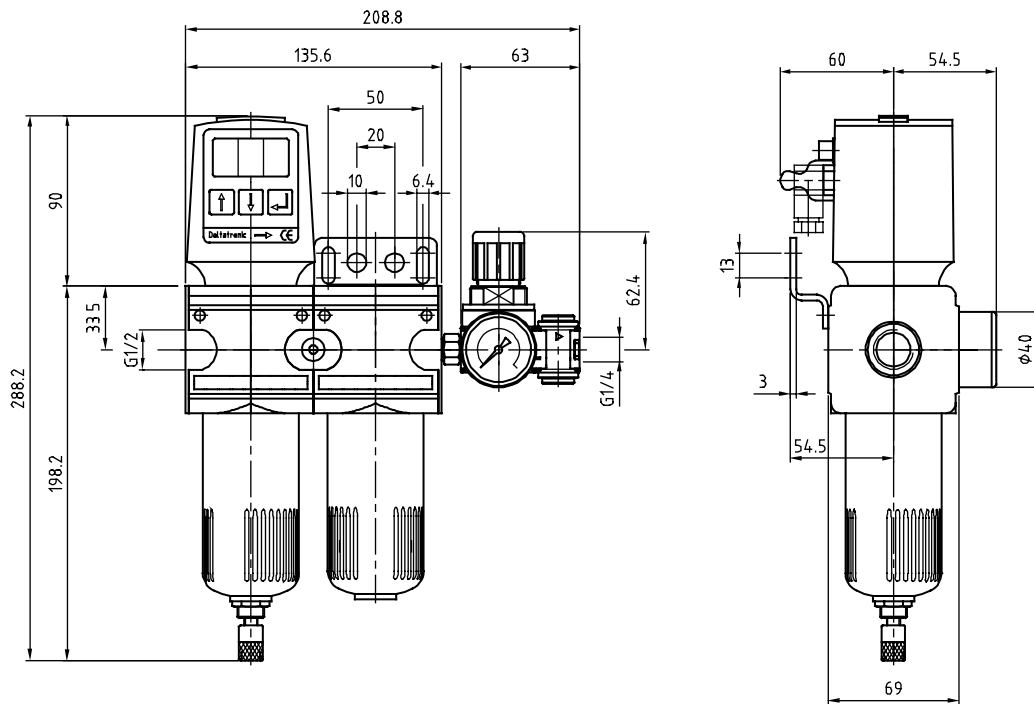
no.	description	material	order-no.
1	differential-gauge with LED-display	DM 2 D	9.3700.00.002
2	O-ring 50x2	C.33-23 NBR	1.2133.23.000
3	bowl	C.33 AM10 polycarbonate	8.2133.76.002/1
4	filter element 0,01µm	XS 38/60 borsilicate/Al	9.9933.00.071
5	bowl	L.33 polycarbonate	8.2533.09.000
6	filter element	AS 38/90 activ.carbon/Al	9.9933.00.110
7	diaphragm assembly	NBR/brass	
8	valve cone	NBR/brass	
9	O-ring 9x2	NBR	

## application information

- easy block assembly for components to be connected in series
- activated carbon filter fundamental without drain

port size	
1	31 G 1/4
options	
G	differential pressure gauge DM.2
DA	differential pressure display DA.1 Δp 0,35 bar
B	bowl guard
H	metal bowl with sight glass
2	

## dimensions (mm)



### fine-filter FX.33 AM

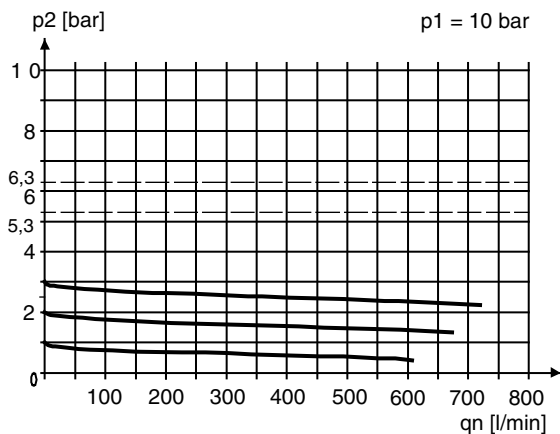
For special filter requirements to exacting standards.  
Pore size 0,01  $\mu\text{m}$ .

For very high requirements of the purity of compressed air  
Finest particles larger 0,01 $\mu\text{m}$  and oil mist are separated.

### activated-carbon filter FA.33

For removal of oil vapour and other hydrocarbons essential for certain industries.

### flow characteristic



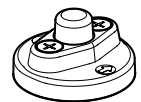
### accessories

differential pressure gauge



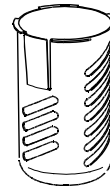
type: DM.2

differential pressure display



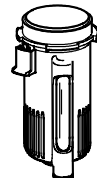
type: DA.1

bowl guard



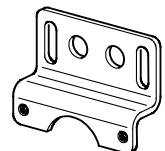
type: C.33-45

metal bowl (with sight glass)



type: BC.33 H

mounting bracket



type: ZW.33