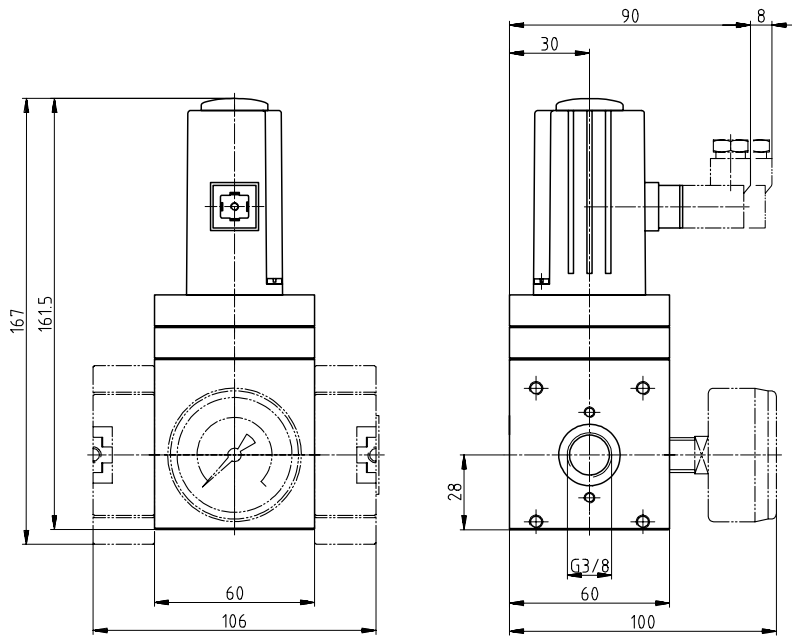
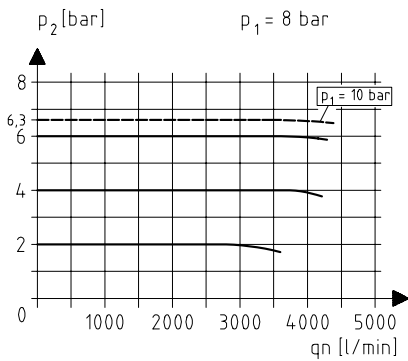


dimensions (mm)

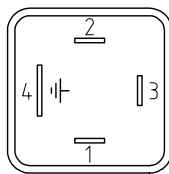


flow characteristics



plug assignment

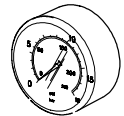
- 1 = Supply 24V DC
- 2 = Reference point 0V DC (GND)
- 3 = Setpoint input
- 4 = Unoccupied



View: Line socket

accessories

gauge



type:
G 50.10/16 R

Version

- Compact construction
- Analogue control possible
- No local air consumption
- In the case of voltage failure, the pressure p_2 is held
- Socket 4-pin (included in scope of delivery)
- Can be assembled into blocks with series 33 (connection board ERAP.33 required)