

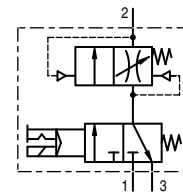
item	type	K2SA-014
port size		G 1/4
description		poppet valve
mounting		arbitrary
medium		compressed air, neutral gases
mediums- and ambient temperature		max. 60 °C
supply pressure		Pe min. 2,5 bar Pe max. 10 bar
voltage		24 V= ; 115V / 50Hz ; 230V / 50Hz
relative switch-on duration		100 %
power		1 - 2,5 W with DC 3 VA with AC 50 Hz
protection class		IP65 according to DIN 40050
electrical connection		socket coupling EN 175301-803, form C / ISO 15217 poles 2+PE (included in scope of delivery)
fixing		mounting bracket, wall mounting
weight		0,347 kg

Available from  
January 2010!

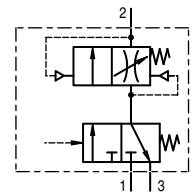


material: Grivory (PA66) / IXEF1022

electrically  
operated



pneumatically  
operated



## series 0

## ordering information

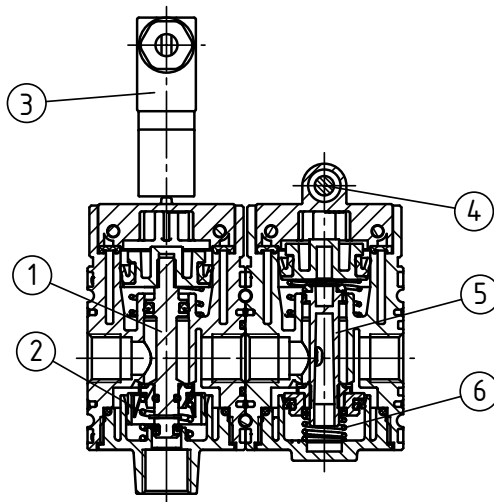
**K2SA - \*\*\* / \***

type

1 port size

2 accessories

ordering example: K2SA-014/24



## parts

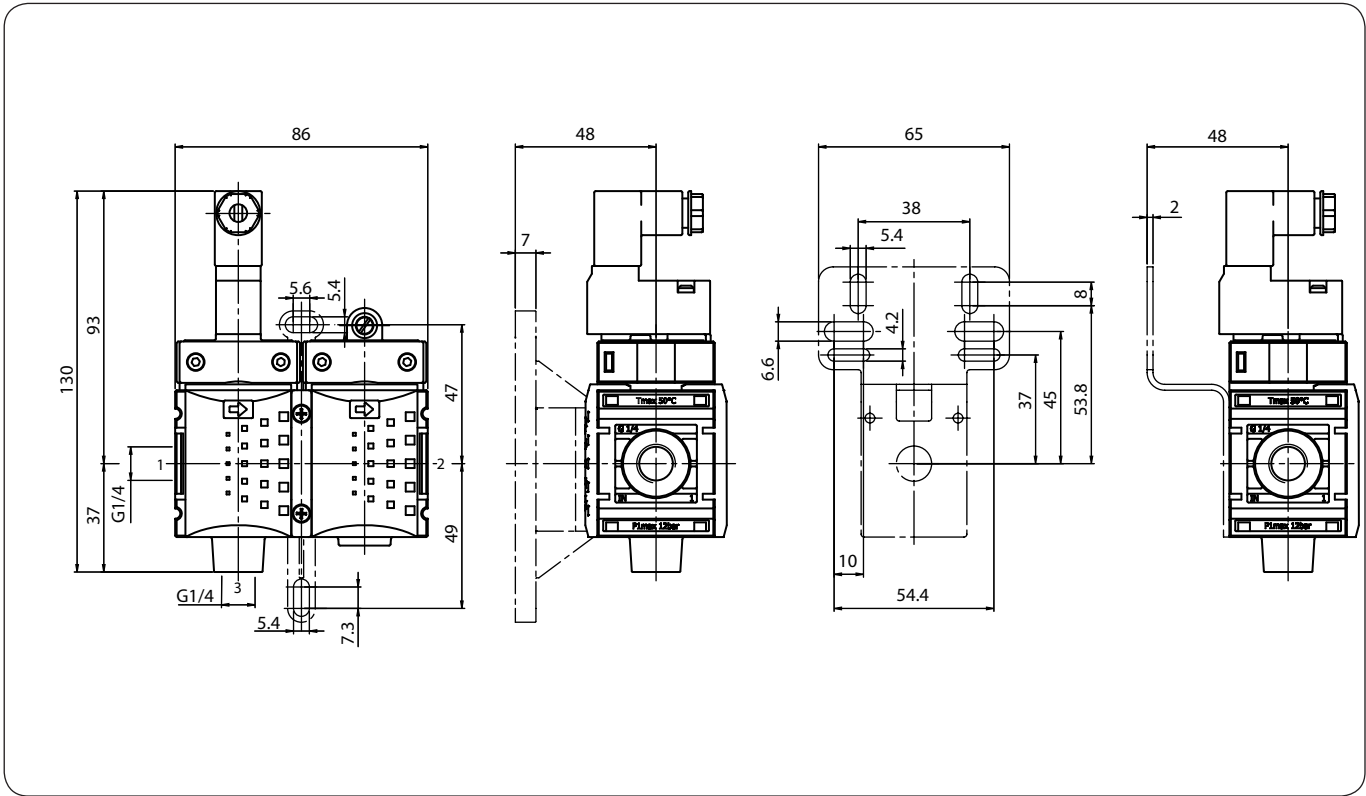
no.	designation	material	order-no.
1	valve plunger	VK.1-4401 PA6 - NBR	---
2	spring	FED.1-725 stainless steel	---
3	pilot valve 24 V incl. socket coupling	ZG.0-104	90060.0104
4	regulation spindle	A.00-14 Ms - NBR	---
5	valve plunger	VK.1-438 HNBR 70	---
6	spring	stainless steel	---

## application information

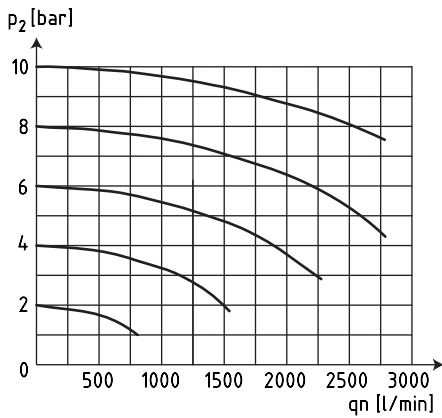
- switch on and off by 3/2-in line control
- generates a slow pressure build-up in pneumatic systems, avoids a sudden drop in pressure

1 port size	
014	G 1/4
0N14	1/4-18 NPT
2 accessories (see reverse side)	
24	electrically operated 24V=
115	electrically operated 115V / 50Hz
230	electrically operated 230V / 50Hz
I	pneumatically operated with adapter for CNOMO solenoid valve
C	

## dimensions (mm)

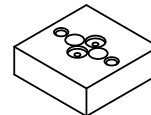


## flow characteristic



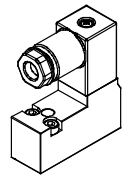
## accessories 2

CNOMO adapter



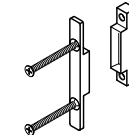
type: ESA.1-1303

pilot valve



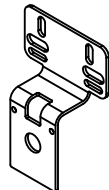
type: 24V=  
115V / 50Hz  
230V / 50Hz

coupling kit



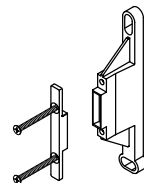
type: KKOP.0

mounting bracket with screws



type: KBW.0-1225

coupling kit wall mounting



type: KKOP.0W